

RT34 (A609)

PARTS CATALOG

INTRODUCTION

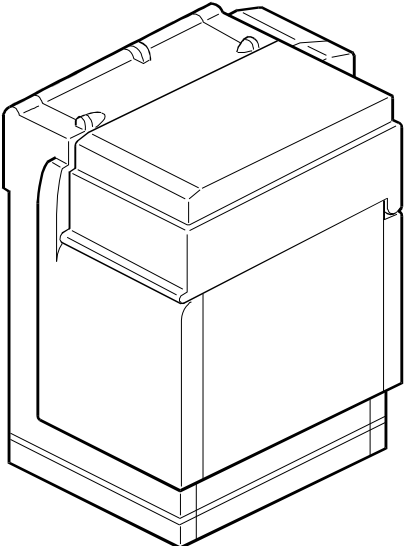
This chapter instructs you the numbers and names of parts on this machine.

INDEX to PARTS CATALOG

LOCATION OF UNIT	3
1.EXTERIOR (A609).....	4
2.LIFT TRAY DRIVE (A609).....	6
3.LIFT PAPER TRAY (A609).....	8
4.PAPER FEED SECTION (A609).....	10
5.PAPER FEED GUIDE (A609).....	12
6.DECAL AND DOCUMENT (A609).....	14
PARTS INDEX	17

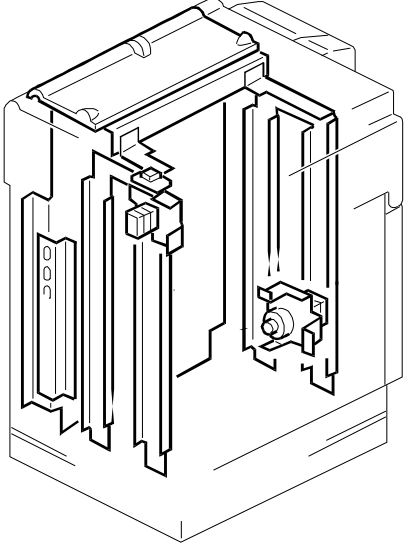
LOCATION OF UNIT

1. EXTERIOR (A609)



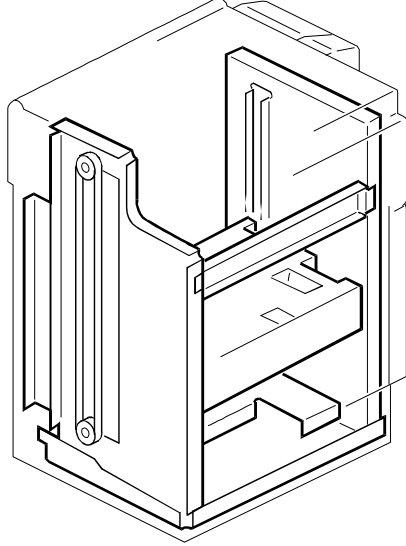
See Page 4

2. LIFT TRAY DRIVE (A609)



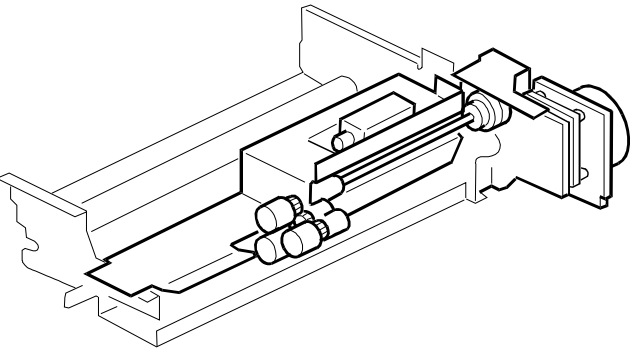
See Page 6

3. LIFT PAPER TRAY (A609)



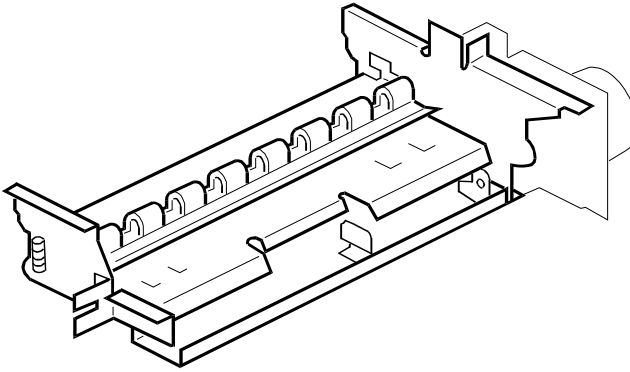
See Page 8

4. PAPER FEED SECTION (A609)



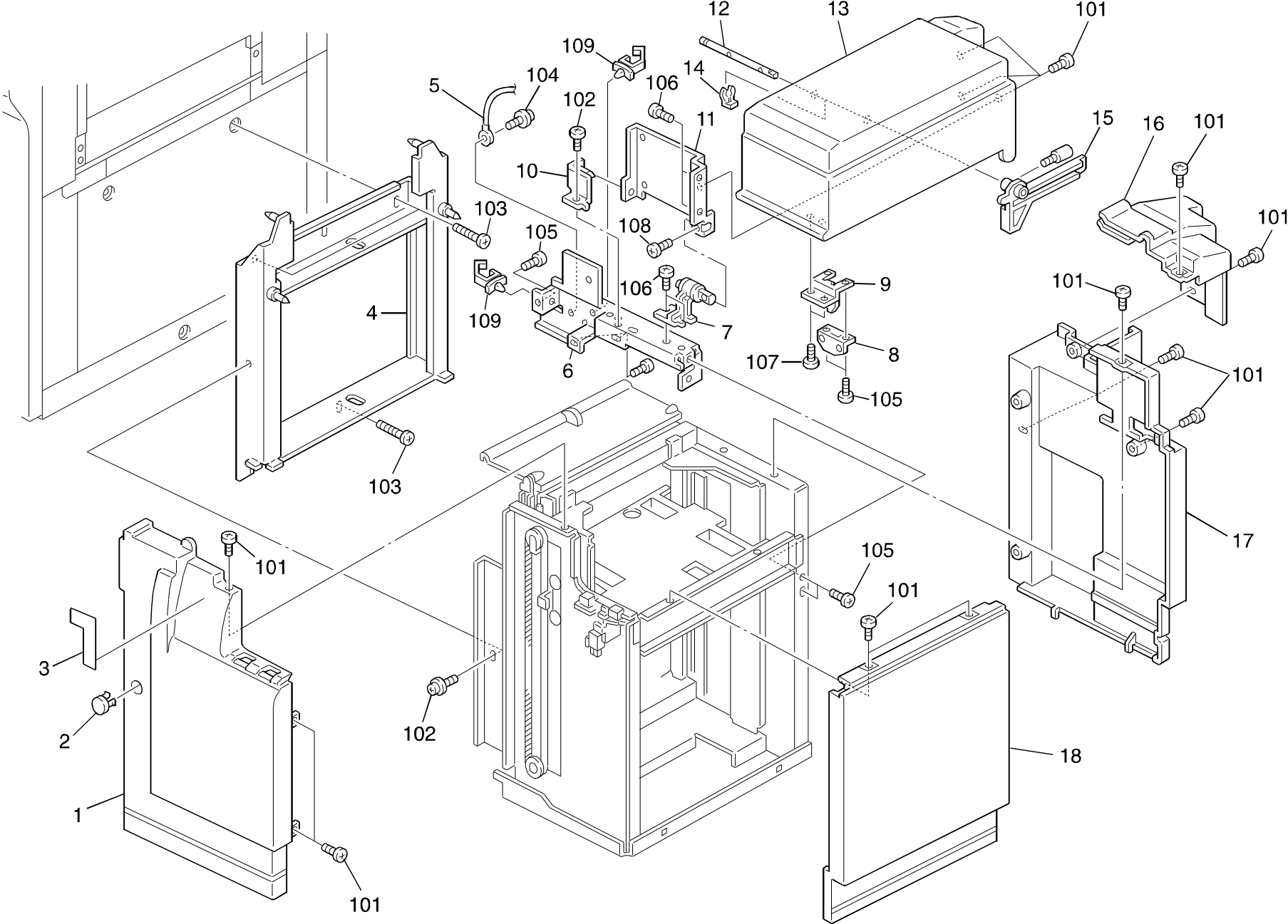
See Page 10

5. PAPER FEED GUIDE (A609)



See Page 12

1. EXTERIOR (A609)

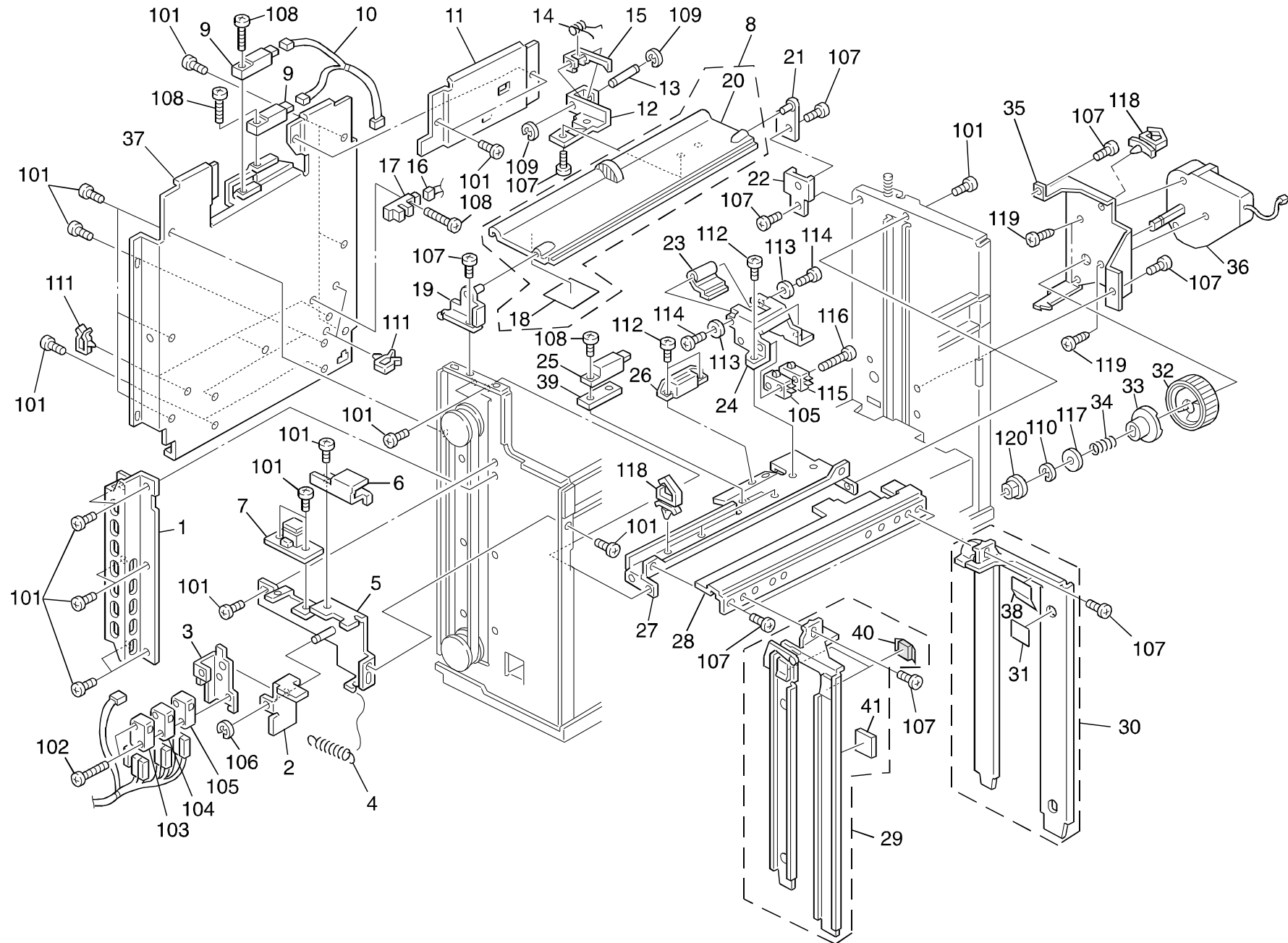


1. EXTERIOR (A609)

Index No.	Part No.	Description	Qty Per Assembly
1	A609 1130	Front Cover	1
2	A176 1318	Cap - 16	1
3	A609 1181	Decal - Paper Setting	1
4	A380 1020	LCT Stay	1
5	A380 5607	Grounding Wire	1
6	A380 1271	Large Hinge Bracket	1
7	A380 1281	Hinge Rubber Cover	1
8	AG07 0004	Magnetic Catch	1
9	A380 1232	Door Catch	1
10	A380 1272	Hinge Bracket	1
11	A380 1231	Hinge Stay	1
12	A380 1233	End Fence Shaft	1
13	A609 1110	Upper Cover - A4	1
13	A609 1111	Upper Cover - LT	1
14	5447 2681	Snap Ring	1
15	A380 1234	End Fence	1
16	A609 1171	Rear Upper Cover	1
17	A609 1161	Rear Lower Cover	1
18	A609 1251	Right Cover	1

Index No.	Part No.	Description	Qty Per Assembly
101	0802 5094	Tapping Truss Head Screw - M4x8	
102	0434 0080B	Philips Tapping Screw - M4x8	
103	0951 4016B	Philips Screw With Flat Washer - M4x16	
104	0950 4006B	Screw - M4x6	
105	0314 0060B	Philips Pan Head Screw - M4x6	
106	0414 0080B	Binding Self-tapping Screw - M4x8	
107	0414 0082B	Binding Self Tapping Screw - M4x8	
108	0314 0120B	Philips Pan Head Screw - M4x12	
109	1105 0310	Wire Clamp	

2. LIFT TRAY DRIVE (A609)

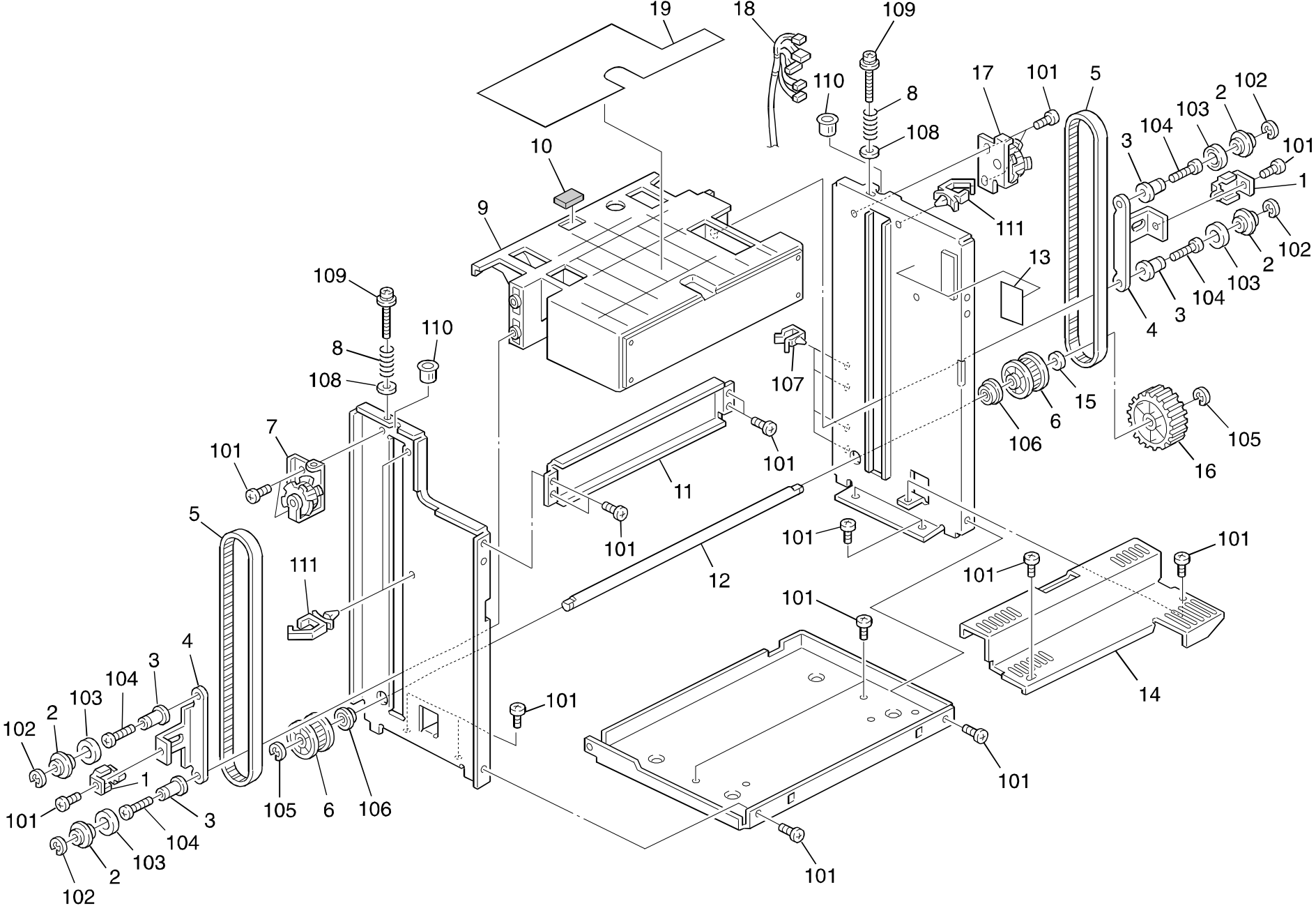


2. LIFT TRAY DRIVE (A609)

Index No.	Part No.	Description	Qty Per Assembly
1	A380 1381	Front Support Plate	1
2	A380 1262	Door Switch Holder	1
3	A380 1261	Operation Key	1
4	A380 2490	Reverse Roller Pressure Spring	1
5	A380 1263	Door Switch Bracket	1
6	A380 1267	Magnetic Holder	1
7	A355 5320	Push Switch	1
8	A609 1081	Misfeed Cover	1
9	AW01 0027	Photosensor - ON2530 CT	2
10	A380 5603	Relay Harness - Paper Set	1
11	A380 1354	Registration Roller Cover	1
12	A609 1298	Paper Sensor Holder	1
13	A380 1292	Actuator Shaft	1
14	A380 1299	Pressure Spring	1
15	A380 1293	Actuator	1
16	A380 5605	Relay Harness - Paper Tray	1
17	AW02 0012	Photointerruptor	1
18	A609 1182	Decal - Misfeed Removal	1
19	A380 1211	Front Hinge	1
20	A609 1201	Misfeed Cover	1
21	A380 1215	Rear Hinge	1
22	A380 1213	Rear Bracket - Misfeed	1
23	A609 1359	Micro Switch Plate	1
24	A380 1357	Safety Switch Cover	1
25	AW01 0064	Optical Sensor Ass y	1
26	AG07 0004	Magnetic Catch	1
27	A609 1355	Upper Stay	1
28	A380 1941	Side Fence Adjuster - Upper	1
29	A609 1900	Front Side Fence	1
30	A609 1920	Rear Side Fence	1
31	AA00 2010	Decal - Paper Level	1
32	A609 1603	Drive Gear	1
33	A609 1602	Joint - Drive	1
34	A380 1436	Pressure Spring	1
35	A609 1601	Motor Bracket	1

Index No.	Part No.	Description	Qty Per Assembly
36	AX04 0091	DC Motor - 21.6W	1
37	A380 1352	Left Bracket	1
38	A380 1935	Rear Guide Sheet	1
39	A609 1357	Safety Switch Cover	1
40	A609 1915	Paper Holder	1
41	A609 1916	Side Fence Pad	1
101	0434 0080B	Philips Tapping Screw - M4x8	
102	0313 0350B	Philips Pan Head Screw - M3x35	
103	1204 0192	Microswitch - UL	
104	1204 1148	Microswitch	
105	1204 2136	Microswitch	
106	0720 0040B	Retaining Ring - M4	
107	0414 0080B	Binding Self-tapping Screw - M4x8	
108	0313 0100B	Philips Pan Head Screw - M3x10	
109	0720 0020E	Retaining Ring - M2	
110	0720 0060B	Retaining Ring - M6	
111	1105 0200	Clamp	
112	0414 0082B	Binding Self Tapping Screw - M4x8	
113	0708 0030B	Washer - M3	
114	0313 0060B	Philips Pan Head Screw - M3x6	
115	1204 0704	Micro Switch - D2RV-G	
116	0313 0250B	Philips Pan Head Screw - M3x25	
117	0807 5056	Washer - 8.1mm	
118	1105 0310	Wire Clamp	
119	0414 0102B	Tapping Screw - M4x10	
120	0805 3389	Bushing - 8x10x6mm	

3. LIFT PAPER TRAY (A609)

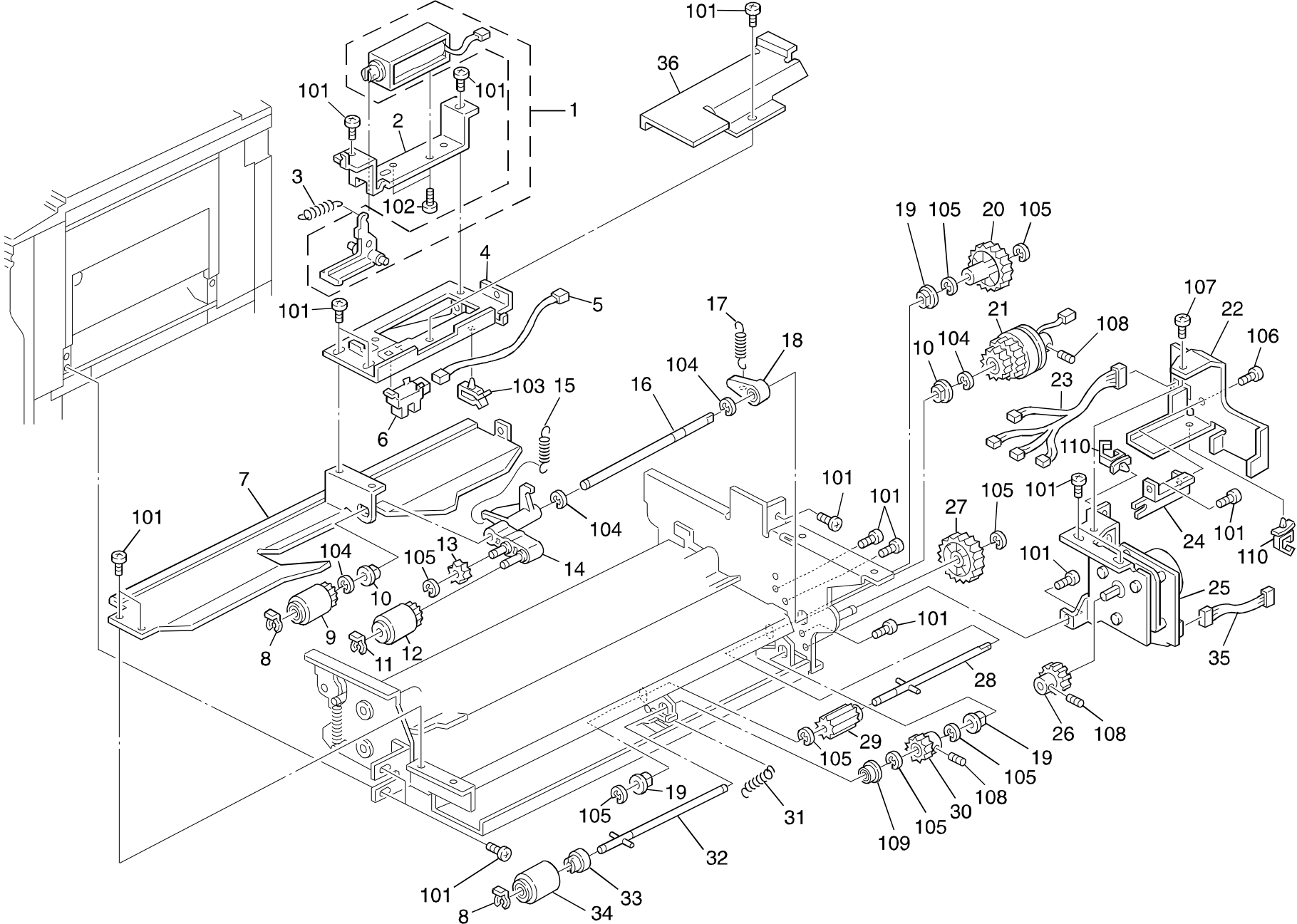


3. LIFT PAPER TRAY (A609)

Index No.	Part No.	Description	Qty Per Assembly
1	A380 1810	Timing Belt Clamp	2
2	A380 1754	Ball Bearing Guide	4
3	A380 1752	Roller Shaft	4
4	A380 1753	Timing Belt Bracket	2
5	A380 1801	Timing Belt - S5M T210	2
6	A380 1803	Timing Pulley - S5M 22Z	2
7	A380 1820	Front Idler Bracket	1
8	AA06 3038	Pressure Spring	2
9	A380 1785	LCT Tray	1
10	A421 2543	Friction Pad	1
11	A380 1356	Right Stay	1
12	A380 1805	Tray Lift Shaft	1
13	A380 1376	Decal - Warning - Can	1
14	A380 1942	Side Fence Adjuster - Lower	1
15	A042 2568	Spacer - 8.1x10x3.7	1
16	A380 1806	Dreive Gear - 42z	1
17	A380 1825	Rear Idler Bracket	1
18	A609 5600	Main Harness	1
19	A380 1141	Decal - Paper Size	1


Index No.	Part No.	Description	Qty Per Assembly
101	0434 0080B	Philips Tapping Screw - M4x8	
102	0720 0060B	Retaining Ring - M6	
103	0805 3270	Ball Bearing - 8x16x5mm	
104	0314 0200B	Philips Pan Head Screw - M4x20	
105	0720 0050B	Retaining Ring - M5	
106	0742 3808	Ball Bearing - 8x16x5	
107	1105 0200	Clamp	
108	0708 0040B	Washer - M4	
109	0957 4030B	Screw - M4x30	
110	1106 0241	Bushing - 6.7mm	
111	1105 0310	Wire Clamp	

4. PAPER FEED SECTION (A609)

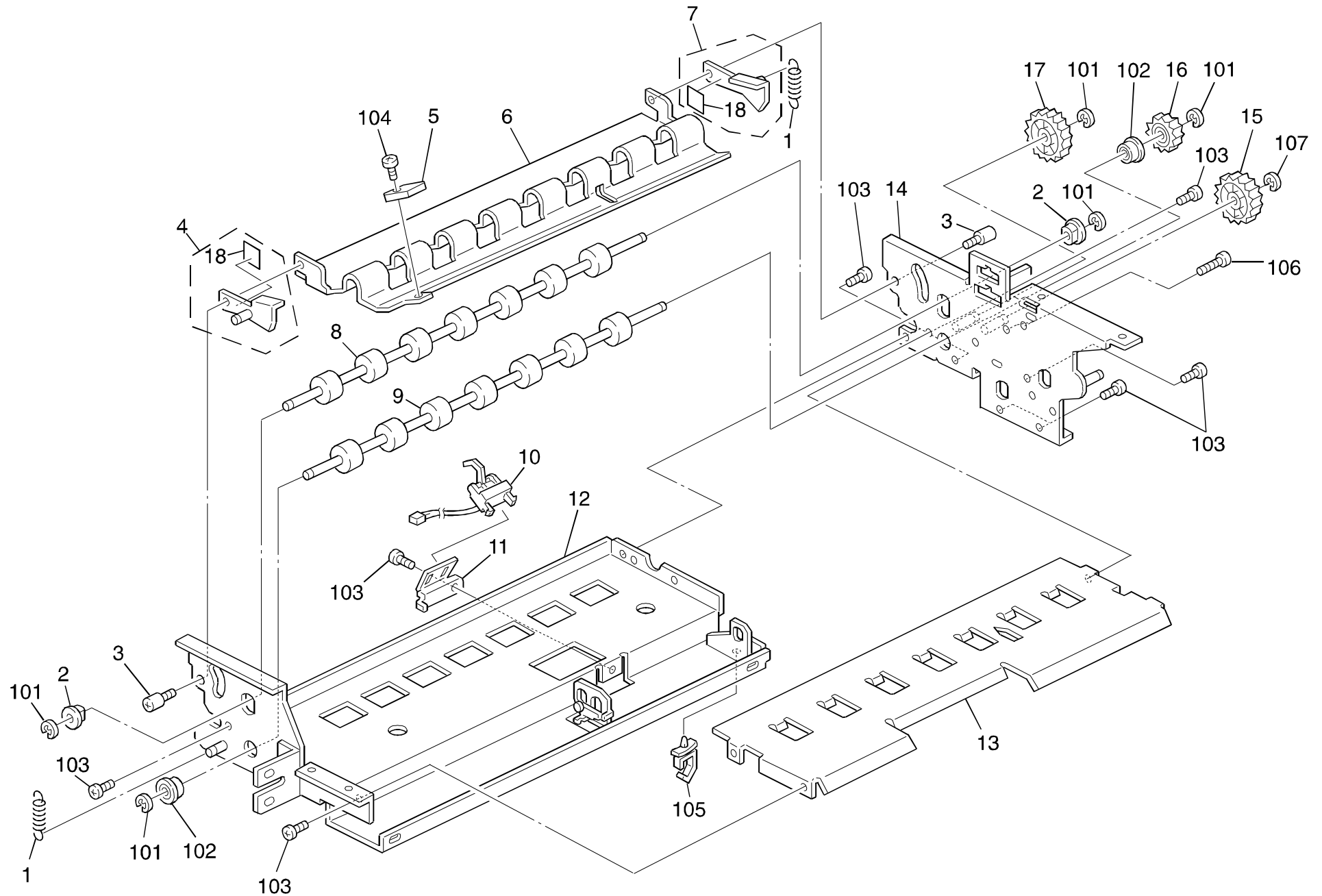


4. PAPER FEED SECTION (A609)

Index No.	Part No.	Description	Qty Per Assembly
1	A380 2280	Pick-up Solenoid	1
2	A380 2281	Solenoid Housing	1
3	A380 2460	Pick-up Release Spring	1
4	A380 2271	Upper Feed Stay	1
5	A380 5602	Sensor Harness	1
6	AW02 0021	Photointerruptor - 175487-3	1
7	A380 2351	Entrance Guide Plate	1
8	5447 2681	Snap Ring	2
9	AF03 0021	Pick-up Roller	1
10	5053 0223	Bushing - 8mm	2
11	5215 2621	Snap Ring - M6	1
12	AF03 1021	Paper Feed Roller	1
13	5447 2706	Gear - 15T	1
14	A380 2211	Pick-up Arm	1
15	A380 2463	Pick-up Pressure Spring	1
16	A380 2221	Feed Roller Shaft	1
17	A380 2494	Pressure Spring	1
18	A096 6353	Feed Roller Lever	1
19	5053 0447	Bushing - 6mm	1
20	A380 2053	Reverse Gear - 30Z	3
21	AX21 0037	Magnetic Clutch	1
22	A609 2421	Harness Bracket	1
23	A380 5604	Relay Harness - Paper Feed	1
24	A609 2441	Harness Bracket Angle	1
25	AX06 0079	Motor - DC 11.6/8.9W	1
26	A380 2418	Drive Gear - 22Z	1
27	A380 2390	Idler Gear - 33Z	1
28	A380 2251	Reverse Roller Shaft	1
29	AB01 3773	Gear - 18Z	1
30	AB01 3729	Gear - 18Z	1
31	A380 2490	Reverse Roller Pressure Spring	1
32	A380 2342	Reverse Roller Driven Shaft	1
33	A097 6000	Separation Torque Limiter	1
34	AF03 2021	Separation Roller	1
35	A609 5610	Relay Harness	1

Index No.	Part No.	Description	Qty Per Assembly
36	A380 2431	Solenoid Cover	1
			
101	0314 0060B	Philips Pan Head Screw - M4x6	
102	0313 0040B	Philips Pan Head Screw - M3x4	
103	1105 0200	Clamp	
104	0720 0060B	Retaining Ring - M6	
105	0720 0040B	Retaining Ring - M4	
106	0414 0060B	Tapping Screw - M4x6	
107	0413 0060B	Tapping Screw - M3x6	
108	0573 0040E	Hexagon Headless Set Screw - M3x4	
109	0805 3145	Ball Bearing - 6x12x4mm	
110	1105 0310	Wire Clamp	

5. PAPER FEED GUIDE (A609)



5. PAPER FEED GUIDE (A609)

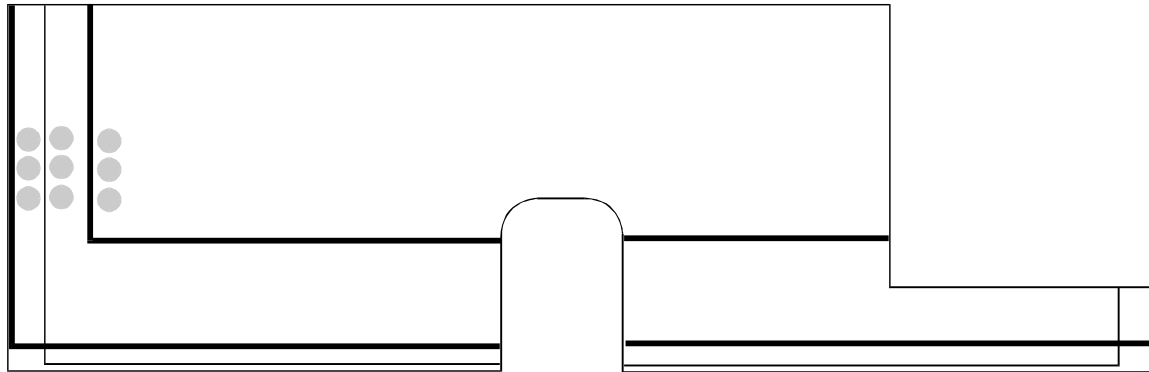
Index No.	Part No.	Description	Qty Per Assembly
1	A380 2491	Pressure Spring	2
2	5053 0223	Bushing - 8mm	2
3	5409 1855	Mounting Pin	1
4	A380 2319	Front Paper Holder Arm	1
5	A353 2243	Lever Knob	1
6	A609 2310	Paper Release Guide	1
7	A380 2324	Rear Paper Holder Arm	1
8	A380 2382	Driven Roller	1
9	A380 2381	Drive Roller	1
10	AW02 0038	Photosensor Ass y	1
11	A380 2331	Sensor Bracket	1
12	A380 2111	Paper Feed Unit Base	1
13	A380 2360	Lower Guide Plate	1
14	A380 2151	Rear Side Plate	1
15	AB01 3167	Gear - 32T	1
16	A380 2458	Drive Gear - 22Z	1
17	AB01 3167	Gear - 32T	1
18	A380 2323	Arm Seal - 12x12	2



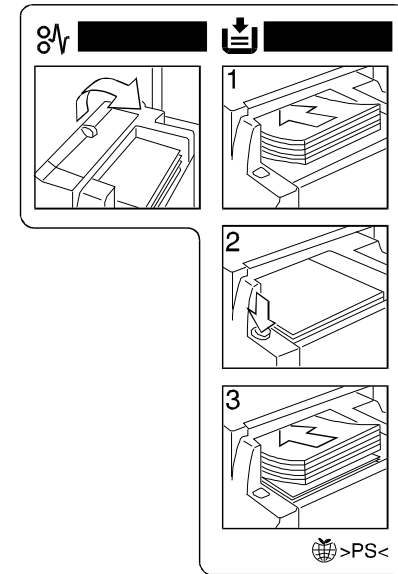
Index No.	Part No.	Description	Qty Per Assembly
101	0720 0060B	Retaining Ring - M6	
102	0805 3307	Ball Bearing - 8x14x4mm	
103	0314 0060B	Philips Pan Head Screw - M4x6	
104	0313 0040B	Philips Pan Head Screw - M3x4	
105	1105 0310	Wire Clamp	
106	0951 4016B	Philips Screw With Flat Washer - M4x16	
107	0720 0040B	Retaining Ring - M4	

6. DECAL AND DOCUMENT (A609)

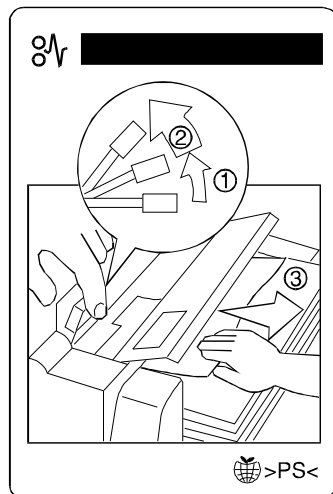
1



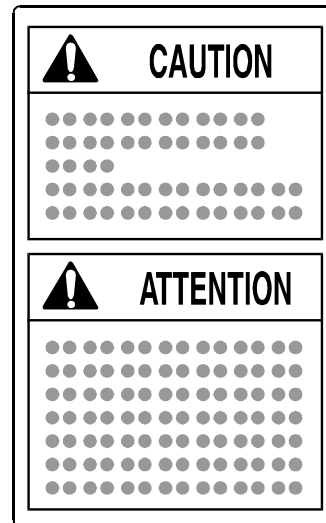
2



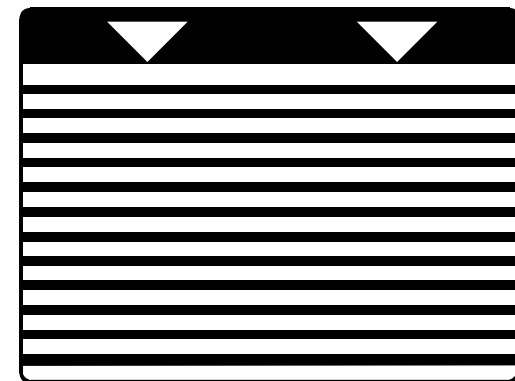
3



4



5



6. DECAL AND DOCUMENT (A609)

Index No.	Part No.	Description	Qty Per Assembly
1	A380 1141	Decal - Paper Size	1
2	A609 1181	Decal - Paper Setting	1
3	A609 1182	Decal - Misfeed Removal	1
4	A380 1376	Decal - Warning - Can	1
5	AA00 2010	Decal - Paper Level	1

Index No.	Part No.	Description	Qty Per Assembly

PARTS INDEX

PM Parts Index

Section Name	Part No.	Description in Service Manual	Description in Parts Catalog	Q ty Per Assembly	Page and Index No
PAPER FEED SECTION (A609)	AF03 0021	Pick-up Roller	Pick-up Roller	1	11- 9
PAPER FEED SECTION (A609)	AF03 1021	Paper Feed Roller	Paper Feed Roller	1	11- 12
PAPER FEED SECTION (A609)	AF03 2021	Separation Roller	Separation Roller	1	11- 34

Parts Index

Part No.	Description	Page and Index No.
A609 1081	Misfeed Cover	7- 8
A609 1110	Upper Cover - A4	5- 13
A609 1111	Upper Cover - LT	5- 13
A609 1130	Front Cover	5- 1
A609 1161	Rear Lower Cover	5- 17
A609 1171	Rear Upper Cover	5- 16
A609 1181	Decal - Paper Setting	5- 3
A609 1181	Decal - Paper Setting	14- 2
A609 1182	Decal - Misfeed Removal	7- 18
A609 1182	Decal - Misfeed Removal	14- 3
A609 1201	Misfeed Cover	7- 20
A609 1251	Right Cover	5- 18
A609 1298	Paper Sensor Holder	7- 12
A609 1355	Upper Stay	7- 27
A609 1357	Safety Switch Cover	7- 39
A609 1359	Micro Switch Plate	7- 23
A609 1601	Motor Bracket	7- 35
A609 1602	Joint - Drive	7- 33
A609 1603	Drive Gear	7- 32
A609 1900	Front Side Fence	7- 29
A609 1915	Paper Holder	7- 40
A609 1916	Side Fence Pad	7- 41
A609 1920	Rear Side Fence	7- 30
A609 2310	Paper Release Guide	13- 6
A609 2421	Harness Bracket	11- 22
A609 2441	Harness Bracket Angle	11- 24
A609 5600	Main Harness	9- 18
A609 5610	Relay Harness	11- 35

Part No.	Description	Page and Index No
AA00 2010	Decal - Paper Level	7- 31
AA00 2010	Decal - Paper Level	14- 5
AA06 3038	Pressure Spring	9- 8
AB01 3167	Gear - 32T	13- 15
AB01 3167	Gear - 32T	13- 17
AB01 3729	Gear - 18Z	11- 30
AB01 3773	Gear - 18Z	11- 29
AF03 0021	Pick-up Roller	11- 9
AF03 1021	Paper Feed Roller	11- 12
AF03 2021	Separation Roller	11- 34
AG07 0004	Magnetic Catch	5- 8
AG07 0004	Magnetic Catch	7- 26
AW01 0027	Photosensor - ON2530 CT	7- 9
AW01 0064	Optical Sensor Ass y	7- 25
AW02 0012	Photointerruptor	7- 17
AW02 0021	Photointerruptor - 175487-3	11- 6
AW02 0038	Photosensor Ass y	13- 10
AX04 0091	DC Motor - 21.6W	7- 36
AX06 0079	Motor - DC 11.6/8.9W	11- 25
AX21 0037	Magnetic Clutch	11- 21

Part No.	Description	Page and Index No.
A042 2568	Spacer - 8.1x10x3.7	9- 15
A096 6353	Feed Roller Lever	11- 18
A097 6000	Separation Torque Limiter	11- 33
A176 1318	Cap - 16	5- 2
A353 2243	Lever Knob	13- 5
A355 5320	Push Switch	7- 7
A380 1020	LCT Stay	5- 4
A380 1141	Decal - Paper Size	9- 19
A380 1141	Decal - Paper Size	14- 1
A380 1211	Front Hinge	7- 19
A380 1213	Rear Bracket - Misfeed	7- 22
A380 1215	Rear Hinge	7- 21
A380 1231	Hinge Stay	5- 11
A380 1232	Door Catch	5- 9
A380 1233	End Fence Shaft	5- 12
A380 1234	End Fence	5- 15
A380 1261	Operation Key	7- 3
A380 1262	Door Switch Holder	7- 2
A380 1263	Door Switch Bracket	7- 5
A380 1267	Magnetic Holder	7- 6
A380 1271	Large Hinge Bracket	5- 6
A380 1272	Hinge Bracket	5- 10
A380 1281	Hinge Rubber Cover	5- 7
A380 1292	Actuator Shaft	7- 13
A380 1293	Actuator	7- 15
A380 1299	Pressure Spring	7- 14
A380 1352	Left Bracket	7- 37
A380 1354	Registration Roller Cover	7- 11
A380 1356	Right Stay	9- 11
A380 1357	Safety Switch Cover	7- 24
A380 1376	Decal - Warning - Can	9- 13
A380 1376	Decal - Warning - Can	14- 4
A380 1381	Front Support Plate	7- 1
A380 1436	Pressure Spring	7- 34
A380 1752	Roller Shaft	9- 3

Part No.	Description	Page and Index No.
A380 1753	Timing Belt Bracket	9- 4
A380 1754	Ball Bearing Guide	9- 2
A380 1785	LCT Tray	9- 9
A380 1801	Timing Belt - S5M T210	9- 5
A380 1803	Timing Pulley - S5M 22Z	9- 6
A380 1805	Tray Lift Shaft	9- 12
A380 1806	Drive Gear - 42z	9- 16
A380 1810	Timing Belt Clamp	9- 1
A380 1820	Front Idler Bracket	9- 7
A380 1825	Rear Idler Bracket	9- 17
A380 1935	Rear Guide Sheet	7- 38
A380 1941	Side Fence Adjuster - Upper	7- 28
A380 1942	Side Fence Adjuster - Lower	9- 14
A380 2053	Reverse Gear - 30Z	11- 20
A380 2111	Paper Feed Unit Base	13- 12
A380 2151	Rear Side Plate	13- 14
A380 2211	Pick-up Arm	11- 14
A380 2221	Feed Roller Shaft	11- 16
A380 2251	Reverse Roller Shaft	11- 28
A380 2271	Upper Feed Stay	11- 4
A380 2280	Pick-up Solenoid	11- 1
A380 2281	Solenoid Housing	11- 2
A380 2319	Front Paper Holder Arm	13- 4
A380 2323	Arm Seal - 12x12	13- 18
A380 2324	Rear Paper Holder Arm	13- 7
A380 2331	Sensor Bracket	13- 11
A380 2342	Reverse Roller Driven Shaft	11- 32
A380 2351	Entrance Guide Plate	11- 7
A380 2360	Lower Guide Plate	13- 13
A380 2381	Drive Roller	13- 9
A380 2382	Driven Roller	13- 8
A380 2390	Idler Gear - 33Z	11- 27
A380 2418	Drive Gear - 22Z	11- 26
A380 2431	Solenoid Cover	11- 36
A380 2458	Drive Gear - 22Z	13- 16

Part No.	Description	Page and Index No.
A380 2460	Pick-up Release Spring	11- 3
A380 2463	Pick-up Pressure Spring	11- 15
A380 2490	Reverse Roller Pressure Spring	7- 4
A380 2490	Reverse Roller Pressure Spring	11- 31
A380 2491	Pressure Spring	13- 1
A380 2494	Pressure Spring	11- 17
A380 5602	Sensor Harness	11- 5
A380 5603	Relay Harness - Paper Set	7- 10
A380 5604	Relay Harness - Paper Feed	11- 23
A380 5605	Relay Harness - Paper Tray	7- 16
A380 5607	Grounding Wire	5- 5
A421 2543	Friction Pad	9- 10
5053 0223	Bushing - 8mm	11- 10
5053 0223	Bushing - 8mm	13- 2
5053 0447	Bushing - 6mm	11- 19
5215 2621	Snap Ring - M6	11- 11
5409 1855	Mounting Pin	13- 3
5447 2681	Snap Ring	5- 14
5447 2681	Snap Ring	11- 8
5447 2706	Gear - 15T	11- 13

Part No.	Description	Page and Index No.
0313 0040B	Philips Pan Head Screw - M3x4	11-102
0313 0040B	Philips Pan Head Screw - M3x4	13-104
0313 0060B	Philips Pan Head Screw - M3x6	7-114
0313 0100B	Philips Pan Head Screw - M3x10	7-108
0313 0250B	Philips Pan Head Screw - M3x25	7-116
0313 0350B	Philips Pan Head Screw - M3x35	7-102
0314 0060B	Philips Pan Head Screw - M4x6	5-105
0314 0060B	Philips Pan Head Screw - M4x6	11-101
0314 0060B	Philips Pan Head Screw - M4x6	13-103
0314 0120B	Philips Pan Head Screw - M4x12	5-108
0314 0200B	Philips Pan Head Screw - M4x20	9-104
0413 0060B	Tapping Screw - M3x6	11-107
0414 0060B	Tapping Screw - M4x6	11-106
0414 0080B	Binding Self-tapping Screw - M4x8	5-106
0414 0080B	Binding Self-tapping Screw - M4x8	7-107
0414 0082B	Binding Self Tapping Screw - M4x8	5-107
0414 0082B	Binding Self Tapping Screw - M4x8	7-112
0414 0102B	Tapping Screw - M4x10	7-119
0434 0080B	Philips Tapping Screw - M4x8	5-102
0434 0080B	Philips Tapping Screw - M4x8	7-101
0434 0080B	Philips Tapping Screw - M4x8	9-101
0573 0040E	Hexagon Headless Set Screw - M3x4	11-108
0708 0030B	Washer - M3	7-113
0708 0040B	Washer - M4	9-108
0720 0020E	Retaining Ring - M2	7-109
0720 0040B	Retaining Ring - M4	7-106
0720 0040B	Retaining Ring - M4	11-105
0720 0040B	Retaining Ring - M4	13-107
0720 0050B	Retaining Ring - M5	9-105
0720 0060B	Retaining Ring - M6	7-110
0720 0060B	Retaining Ring - M6	9-102
0720 0060B	Retaining Ring - M6	11-104
0720 0060B	Retaining Ring - M6	13-101
0742 3808	Ball Bearing - 8x16x5	9-106
0802 5094	Tapping Truss Head Screw - M4x8	5-101

Part No.	Description	Page and Index No.
0805 3145	Ball Bearing - 6x12x4mm	11-109
0805 3270	Ball Bearing - 8x16x5mm	9-103
0805 3307	Ball Bearing - 8x14x4mm	13-102
0805 3389	Bushing - 8x10x6mm	7-120
0807 5056	Washer - 8.1mm	7-117
0950 4006B	Screw - M4x6	5-104
0951 4016B	Philips Screw With Flat Washer - M4x16	5-103
0951 4016B	Philips Screw With Flat Washer - M4x16	13-106
0957 4030B	Screw - M4x30	9-109
1105 0200	Clamp	7-111
1105 0200	Clamp	9-107
1105 0200	Clamp	11-103
1105 0310	Wire Clamp	5-109
1105 0310	Wire Clamp	7-118
1105 0310	Wire Clamp	9-111
1105 0310	Wire Clamp	11-110
1105 0310	Wire Clamp	13-105
1106 0241	Bushing - 6.7mm	9-110
1204 0192	Microswitch - UL	7-103
1204 0704	Micro Switch - D2RV-G	7-115
1204 1148	Microswitch	7-104
1204 2136	Microswitch	7-105

Part No.	Description	Page and Index No.